

Metal Rack Heavy Duty - Model 190H

Price: \$38.00



Manufacturer:



Description



Are your employees forgetting their [proximity / magnetic ID badges](#) at home?

Losing or misplacing their ID Badges?

Our heavy duty metal ID badge rack will organize, keep track and accelerate the employee clocking in and out process. Durable proximity & magnetic ID badge racks are a simple solution to managing your business. Holds 25 ID Badges.

Employee ID Badge Rack Model 190H Specifications:

- ✓ **Capacity:** Holds 25 ID Badge Cards
- ✓ **Suggested Card Height:** 2 1/8 inches
- ✓ **Overall Height :** 20 7/8 inches
- ✓ **Overall Width:** 4 1/2 inches
- ✓ **Opening Width:** 3 3/4 inches
- ✓ **Depth Front to Back:** 3/4 inches
- ✓ **Pocket Depth:** 1 1/2 inches
- ✓ **Exposure:** 3/4 inches

You can also customize your Employee ID Badge Rack Model 190H by choosing a different color than

the default gray.

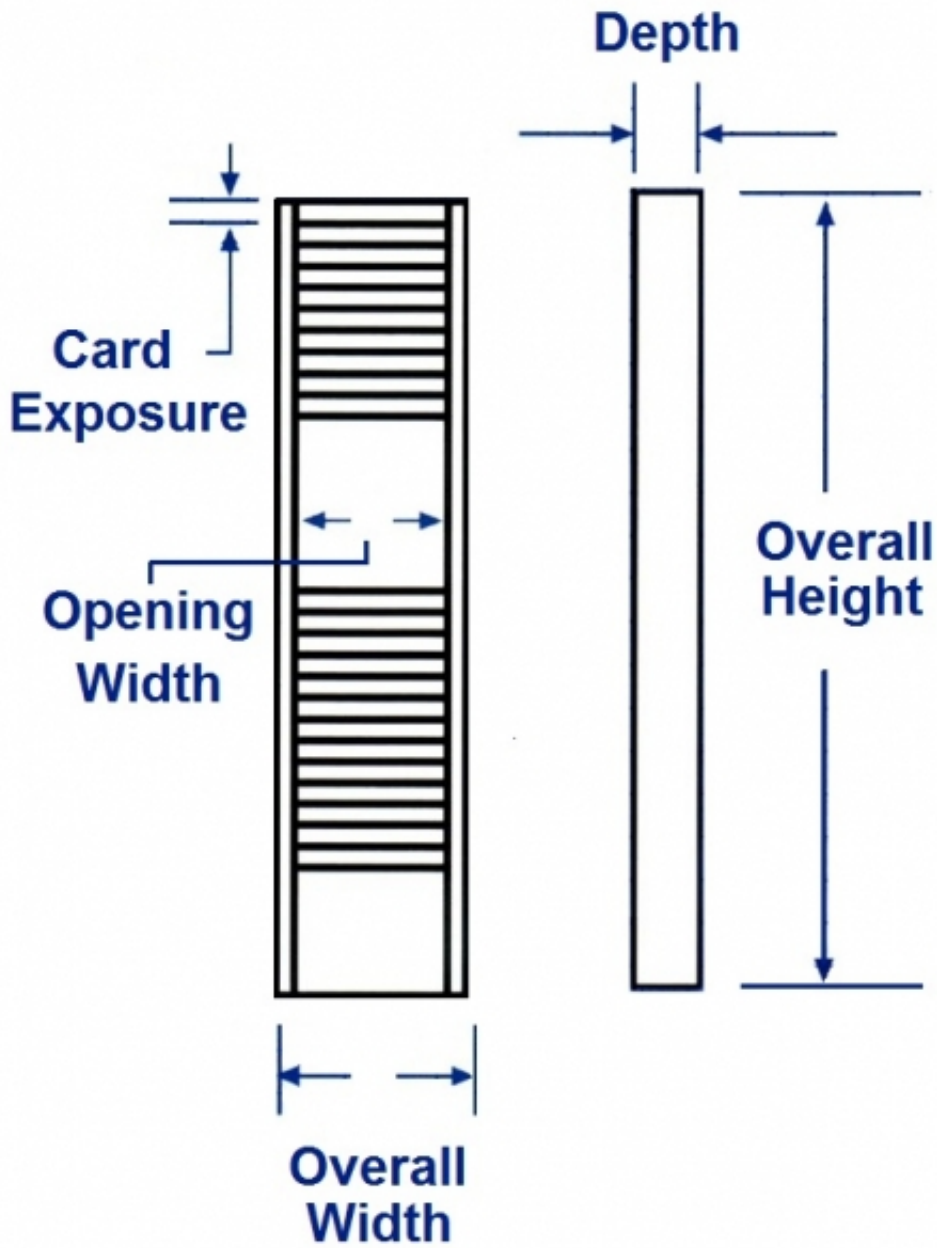
Here are the color options:

Black, Brown, Ivory, Light Tan, Orange, Red, Traffic Blue, White and Taupe.



There is an additional charge of \$5.00 for the color selection.

If you have any questions regarding this employee proximity & magnetic ID badge card rack, please don't hesitate to [contact us](#). Our experienced customer service representatives will be glad to answer your questions.



Dimensions: 20 7/8" H x 4 1/2" W x 3/4" D